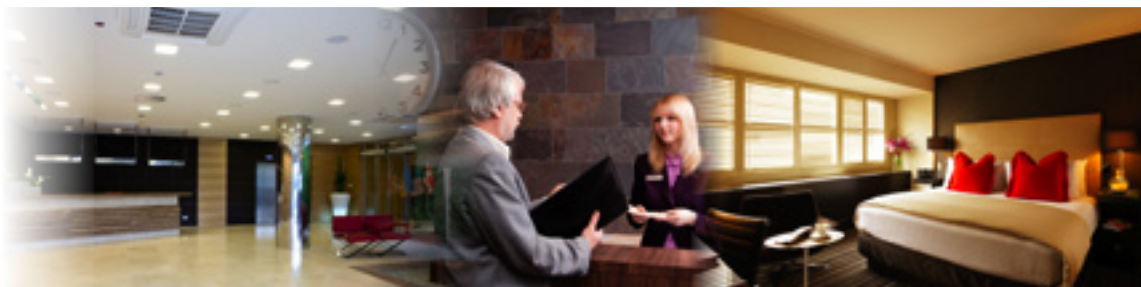
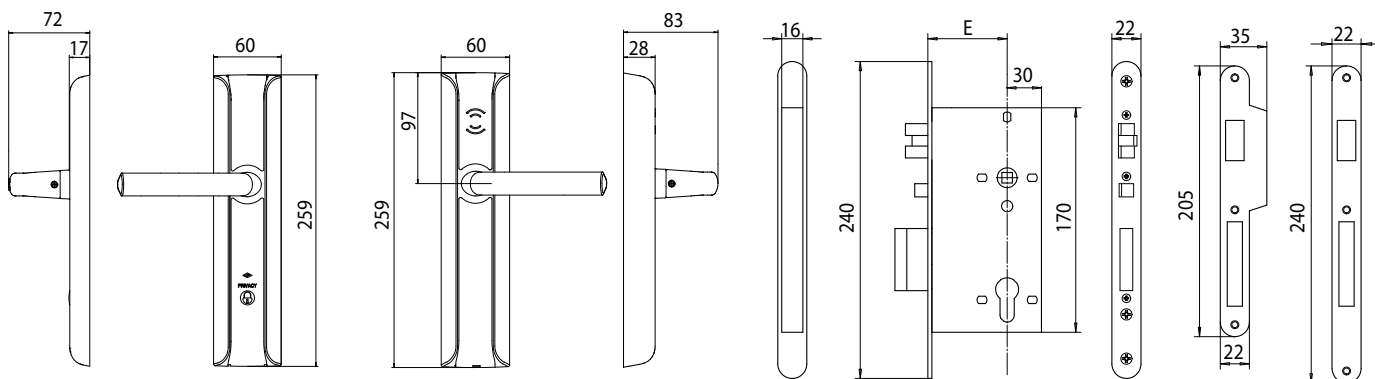


Contactless)) Wireless)) Seamless



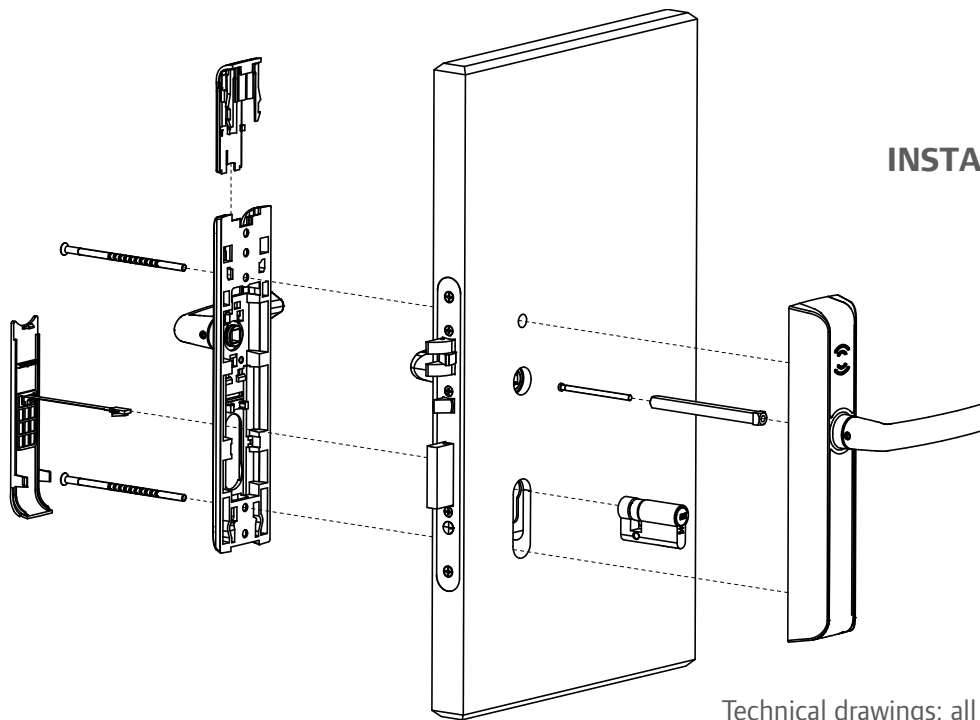
Handle plate

5A504, 5A514 lock series – Strike plate



internal

external



INSTALLATION

Technical drawings: all measurements are in mm.

About Allegion

Allegion (NYSE: ALLE) creates peace of mind by pioneering safety and security. As a \$2 billion provider of security solutions for homes and businesses, Allegion employs more than 7,800 people and sells products in more than 120 countries across the world. Allegion comprises 23 global brands, including strategic brands CISA®, Interflex®, LCN®, Schlage® and Von Duprin®. For more, visit allegion.com



BRICARD ■ Briton ■ CISA ■ interflex

CISA SpA
Via Oberdan 42 - 48018 Faenza (RA) Italy
Tel +39 0546 677111 - Fax +39 0546 677150
cisa.vendite@allegion.com
cisa.com - cisahotels.com

@cisalocks



© 2014 Allegion
allegion.com



CISA e Signo

The future is on air

Contactless - Wireless - Seamless



Technical features))



Encoding system

- Encoder (ISO 14443B / Mifare ISO 14443A, NFC ready) which operates independently or with Smart Software on a PC
- Web-based encoder (requires an Internet connection)

Specifications

- NFC compatible contactless lock
- IP 55 protection rating (in the outdoor installation version)
- Contactless reader for standard credentials ISO14443B / Mifare ISO 14443A, NFC ready
- Wireless option (2.4 GHz Zigbee)
- Audit trail of 500 events
- Up to 60 auto-programmable timetables
- Batteries: 3 AAA batteries for 30,000 events
- Compatible with 8 mm square spindle locks
- European profile mechanical override cylinder
- Standard and RTD lever
- Operating temperature: from -10°C to 70°C
- CE marking
- Compatible with products which comply with standards EN1634 Parts 1 & 2, EN179 and EN12209



Classic handle



Return to door lever (RTD)
EN 179 certified

Finishes

CISA eSIGNO handle plates are available in 4 finishes: satin silver, polished silver, satin gold and polished gold and can be coordinated with handles for other rooms (e.g. bathrooms, communicating doors).



Satin silver



Polished silver



Satin gold



Polished gold

CISA solutions for hotels and community buildings.



CISA eSIGNO contactless lock

Electronic locks with no wiring. They can be configured as standalone units (offline) or as part of a wireless network.



Contactless security card

When the card is held up to the lock it opens the door granting access to the guest's room and/or other areas. Contactless security cards are programmed with an encryption system based on standard algorithms which protects them from cloning and duplication.



Contactless electronic cylinder

It allows hotels to upgrade from mechanically operated locks to electronic access control, granting access rights using cards or other electronic credentials. It easily replaces European profile mechanical cylinders and is available in the outdoor installation version.



Wall reader

The wall reader can be used to control access to other areas equipped with electrical devices (e.g. automatic barriers, electric gates, magnets, electric locks). Communal areas such as fitness and health centres, conference rooms, garages etc. are managed by holding the card up to the contactless wall-mounted reader. CISA readers can be configured offline or online and are also suitable for outdoor use.

Encoder

This device reads and programmes the security cards. It can be connected to a PC or used as a standalone unit, making the encoding system even more resistant to computer viruses. The encoder is portable and, therefore, a highly versatile device. When paired with an NFC mouse it can communicate with the CISA eSIGNO locks to programme them and access information such as the audit trail and battery status. Several encoders can be used in the same hotel to ensure reception runs as smoothly as possible. The web-based version works with a PC equipped with a web browser and Internet connection.



Wireless coordinator and wireless control unit

These devices are part of the wireless infrastructure: the coordinator is used to communicate with the CISA eSIGNO wireless locks.



The coordinator is controlled by the wireless control unit which manages the connection between the central station and the CISA eSIGNO wireless locks.

Energy saver

When the security card is inserted in the lit cardholder, it switches on the electrical power in the room, preventing unnecessary energy wastage when the guest is out of the room.



Mechanical antipanic lock

The mechanical antipanic lock is the closing element controlled by the electronic unit. Using an automatic deadbolt gives hotel guests' greater security, protection and comfort compared to solutions with electric strike. The DPR (Door Position Report) function provides important information about door status. In real-time when combined with CISA eSIGNO wireless locks. The locks are EN179 certified.



Mechanical override

This ensures prompt, non-invasive emergency access to the room, guaranteeing maximum protection for hotel guests and preventing damage to the door or lock.

CISA eSIGNO safe

Battery powered electronic hotel safe with LED display and motorised lock. The 90° door opening and cantilevered hinges are designed to hold a laptop. Laser cut design with minimal space between the door and frame to guarantee maximum security against attacks. ADA - compliant keypad to help guests with visual impairment and automatic interior LED lighting. Audit trail able to trace the previous 300 events and store them onto ordinary SD cards. The integrity of the audit trail file can be verified online.



Emergency mechanical override with CISA C2000 key or, upon request, CISA AP3S (patented and can only be duplicated with a Security Card).

Smart Software

CISA Smart Software is a software package which makes the CISA eSIGNO system quick and easy to manage and provides advanced functions specifically for the hospitality and community buildings sector. Compatible with MS Windows XP, Vista and 7.

